

Ideal for:
Aviation / Military / Mining / Ports
OEM / Workshops / Assembly Lines
Industrial trucks
Tyre service

Easy
Gripper
1700

Save
time
Improve
safety



Professional tools for handling of tyres and wheels up to 18.00R25

- Unique 3-point grip
- Precise rotation +/-25°
- 90° tilt, horizontal to vertical
- Integrated camera system for optimal view
- Prevent damage to tyres, rims & equipment
- Easy to operate



Experts in Tyre Handling Equipment



Easy Gripper

The Easy Gripper product range is designed to help tyre professionals in a multitude of conditions and situations. Implementing The Easy Gripper makes tyre handling faster and safer, while preventing damage to tyres, rims and equipment.

Capability

With a gripping range from Ø480 - 1.700 mm (19-67") and a lifting capacity of 600 kg (1.320 lbs) the Easy gripper 1700 is developed to handle small and heavy tyre and wheel assemblies for the Aviation / Military / Mining / Ports / Industrial / OEM industry.



Aviation

For logistic handling and moving of aircraft tyre and wheel assemblies. To and from stock and hangars. Mounting and demounting of wheels. With a safe grip and tilt and rotation functions.

Military

Ideal to change tyres and wheels in workshops but also outside - depending on the vehicle. Can be mounted as a quick shift attachment. Effectivity, safety, ergonomic improvements.



Mining

Ideal for road trains and other equipment with relatively small and heavy wheels. A great tool for service of tyres and wheels. Effectivity, safety, ergonomic improvements.

Ports

Easy Gripper 1700 can handle the smaller tyres and wheels on some RTG-cranes, Straddle Carriers, AGVs and other equipment. Where safety is important.



Industrial Trucks

Ideal to change tyres and wheels of trucks – especially in heavy industries with trucks with many and heavy wheels. Effectivity, safety, ergonomic improvements.

Workshops & OEM

To mount and demount tyres and wheels. A great and flexible tool for use at assembly lines. Very effective compared to overhead cranes and with improved safety and risk of internal damages.



Forklifts

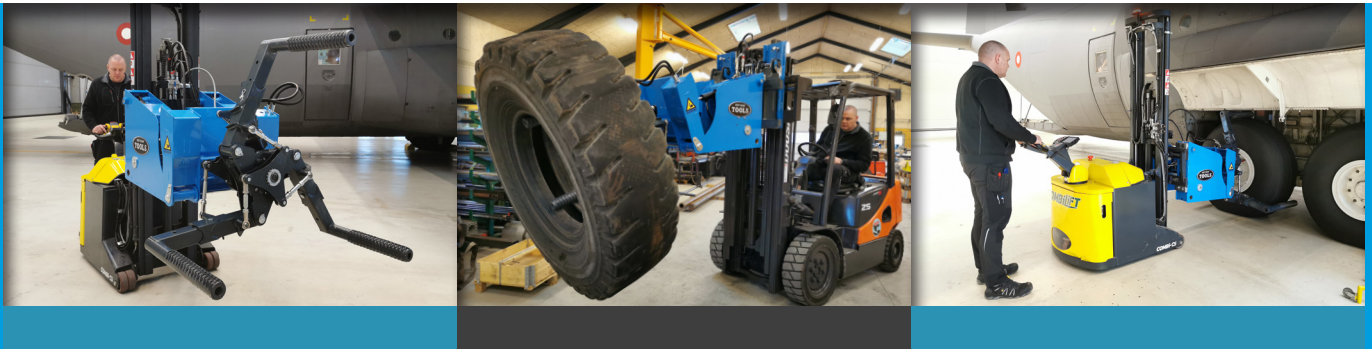


The Easy Gripper 1700 with the 90° tilt module is ideal for use on relatively small forklifts.

Electrical Stackers



Mounted on an electrical “walkie stacker” the Easy Gripper 1700 is ideal for operating at assembly lines or in workshops with limited space.



Standard features

Unique and safe 3-point grip

Avoid accidents.
Avoid deformation of tyres.
Avoid damages to tyres, rims and equipment.

Integrated camera system for optimal view

With automatic IR function in insufficient light conditions.

90° tilt, horizontal to vertical

Precise rotation +/-25°

Optional features

Quick Shift System

Easy hook on and off. Shift between Gripper and forks in less than half a minute, by using the Fork Module and Hydraulic Multi Connection.

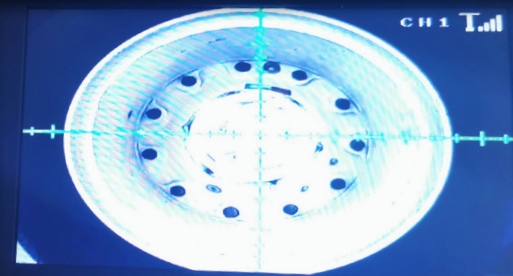
Easy shift of gripping pipes for various purposes

Flat top arm for limited tyre clearance.

Customization on request



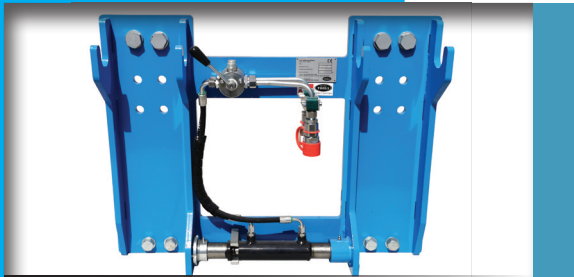
Remote control



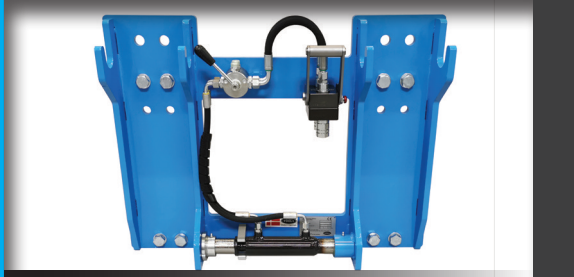
Integrated camera system for optimal view



Steel mesh on pipes ensure a safe grip



Quick Shift Module - screw coupling



Quick Shift Module - hydraulic multi connection



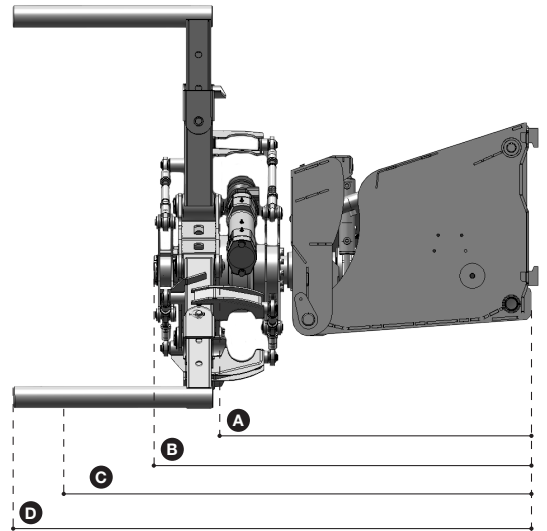
Fork Module



Flat top arm for limited tyre clearance

Technical Specifications

Weight:	420 kg (926 lbs)
Lifting capacity:	600 kg (1.323 lbs)
Tyre diameter:	480 - 1.700 mm (19 - 67")
Standard pipes:	Ø89 x 600 mm (3,5 x 23,6")
Attachment:	ISO/FEM/ITA Class 2



- A** CoG Gripper = 1.065 mm (42")
- B** Rear of Load = 1.180 mm (46")
- C** CoG Load = 1.410 mm (56")
- D** Length = 1.645 mm (65")

Technical Requirements of forklift or electrical stacker

Lifting capacity:	Individual calculation
Electrical supply:	12/24 V / min 10A
Hydraulic:	1 double acting hydraulic valve
Pressure min-max:	110 - 250 bar (1.596 - 3.626 psi)
Return pressure:	max. 10 bar (145 psi)
Flow:	max. 40 l/min. (11 gal/min.)

Authorized Dealer



+45 72 344 344
 info@justeasytools.dk
 www.justeasytools.com
 VAT no.: DK33644809

Just Easy Tools ApS
 Nupark 51
 DK-7500 Holstebro
 Denmark