

Ideal for:
Small Open Pit Mines / Quarries
Underground Mines
Tyre Service
Ports
OEM

Easy Gripper 2400-2T

Save
time
Improve
safety



Professional tools for handling of OTR/EM tyres up to 37.25R35

- Unique 3-point grip
- Precise rotation +/-25°
- 90° tilt, horizontal to vertical
- Integrated camera system for optimal view
- Prevent damage to tyres, rims & equipment
- Tools for safe handling of tyre rings
- Easy hook on/off attachment



Experts in Tyre Handling Equipment

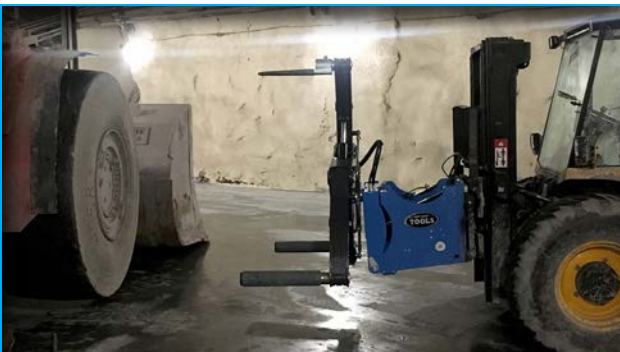


Easy Gripper

The Easy Gripper product range is designed to help professional tyre technicians in a multitude of conditions and situations. Implementing The Easy Gripper makes tyre handling faster and safer, while preventing damages to tyres, rims and equipment.

Capability

With a gripping range of Ø850 - 2.400 mm (34 - 94") and a lifting capacity of 2 ton (4.400 lbs) at a CoG of 550 mm (22") from face of gripper, the Easy Gripper 2400-2T can handle tyres up to 37.25R35. When handling full wheel assemblies as inside duals, the Gripper handles up to 24.00R35 tyres.



Underground mines

Solves issues with limited clearance around the tyres. The 2 bottom pipes grip the tyre below the fender, and the top pipe can easily be changed to a flat arm to fit between tyre and fender.

Quarries

The unique 3-point grip, precise tilt and rotation, integrated camera system and special designed Ring Handling Tools all improves the safety as well as the efficiency while handling tyres and wheels.



Ports

Reduces the down time and improves the safety for the tyre technicians while handling tyres and wheels on Straddle Carriers, Reach Stackers, AGVs and RTG cranes.

Breakdown service

Mounted on front loaders, telehandlers or truck cranes you get a perfect and safe solution to provide tyre service in any environment with just one or two operators ... faster than usually.



Forklifts



The Easy Gripper 2400-2T with the 90° tilt module is ideal for use on forklifts.

Front loaders and telehandlers



The Easy Gripper 2400-2T Compact without tilt or with the 30° tilt module is a good choice depending on the tilt provided by the carrier.

Truck cranes



By use of our Crane Module the Easy Gripper 2400-2T Compact also fit with almost any truck crane system.



Standard features

Unique and safe 3-point grip

- Prevents accidents.
- Prevents deformation of tyres.
- Prevents damages to tyres, rims and equipment.

Integrated camera system for optimal view

With automatic IR function in insufficient lighting conditions.

Precise rotation +/-25°

90° tilt, horizontal to vertical

Quick Shift Module

The Quick Shift Module is a mandatory and integrated part of the Easy Gripper 2400-2T. It is mounted on the forklift, and the Easy Gripper is then hooked on to this module. Makes hook on/off easy.

Optional accessories

Fork Module

The Fork Module is designed to be hooked on to the Quick Shift Module, and makes quick shift between Gripper and forks easy.

Hydraulic Quick Shift

To optimize quick shift of the hydraulic hoses in less than a minute.

Easy shift of gripping pipes for various purposes

- Telescopic pipes for long reach, to provide room for the tyre technicians and for dual tyre handling.
- Flat top arm for limited tyre clearance.

Tools for safe handling of tyre rings

Special designed Ring Handling Tools for handling multi-piece rim wheels. With the Ring Handling Tools the tyre technicians can grip, hold, press, or place tyres, rims and rings as needed
- a major improvement of safety and efficiency!

LED working light, second camera for view of bolt diameter and customization on request



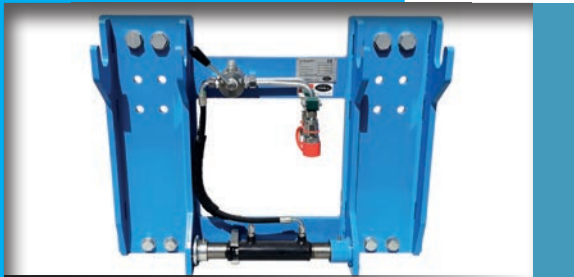
Integrated camera system for optimal view



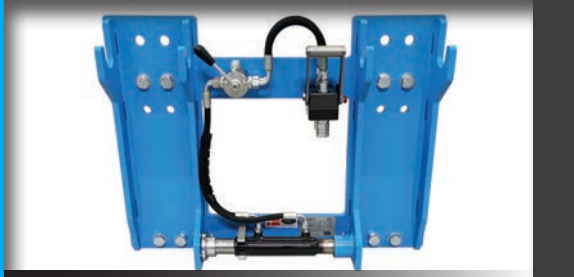
Unique and safe 3-point grip



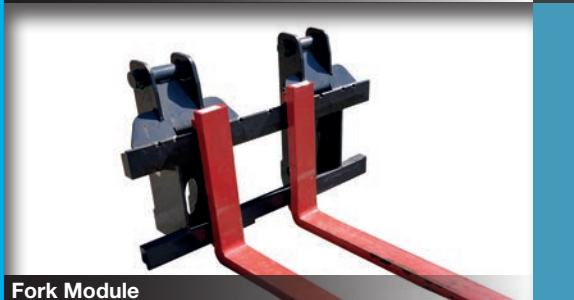
Tools for safe handling of tyre rings



Quick Shift Module - screw coupling



Quick Shift Module - hydraulic multi connection



Fork Module



Telescopic pipes for long reach



Flat top arm for limited tyre clearance

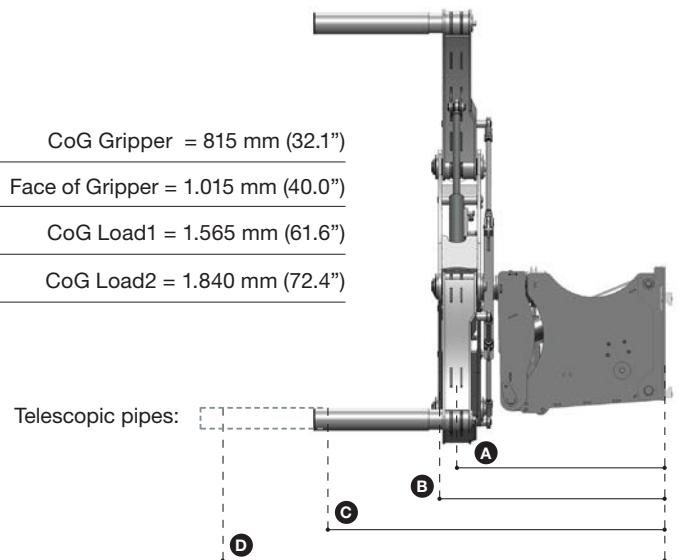


LED working light

Technical Specifications

Weight:	Gripper = 815 kg (1,796.6 lbs) / QSM = 75 kg (165.4 lbs)
Lifting capacity:	2.000 kg (4.400 lbs) at C from B 550 mm (21.7")
	1.425 kg (3.142 lbs) at D from B 825 mm (32.5")
Tyre diameter:	850 - 2.400 mm (33.5 - 94.5")
Standard pipes:	Ø115 x 650 mm (4.5 x 25.6")
Telescopic pipes:	Ø120 x 600 -> 875 mm (4.7 x 23.6 -> 34.5")
Attachment:	ISO/FEM/ITA Class 3 or 4 / Loader specific

- A** CoG Gripper = 815 mm (32.1")
- B** Face of Gripper = 1.015 mm (40.0")
- C** CoG Load1 = 1.565 mm (61.6")
- D** CoG Load2 = 1.840 mm (72.4")



Technical Requirements

Lifting capacity:	Individual calculation
Electrical supply:	12/24 V / min 10A
Hydraulic:	1 double acting hydraulic valve
Pressure min-max:	150 - 250 bar (2.175 - 3.626 psi)
Return pressure:	max. 10 bar (145 psi)
Flow:	max. 50 l/min. (13 gal/min.)

Authorized Dealer



+45 72 344 344
 info@justeasytools.dk
 www.justeasytools.com
 VAT no.: DK33644809

Just Easy Tools ApS
 Nupark 51
 DK-7500 Holstebro
 Denmark